

CABLE 161 RF: I-PEX MHF + SMA STRAIGHT BULKHEAD JACK WITH O-RING RATED TO IP67/68 + MULTIPLE CABLE SIZES

SPECIFICATIONS :

- I-PEX MHF PLUG, P/N: FOR RG178 CABLE: 20278-112R-18.
FOR $\phi 1.37\text{MM}$ CABLE: 20351-112R-37.
FOR $\phi 1.13\text{MM}$ CABLE: 20278-112R-13
FOR $\phi 1.32\text{DS}$ & 1.32MM CABLE: 20278-112R-32.
FOR $\phi 0.81\text{MM}$ CABLE: 20278-112R-08
- COAXIAL CABLE, SEE P/N OPTIONS.
- SMA STRAIGHT BULKHEAD JACK WITH O-RING RATED TO IP67/68, P/N: RFCT-SMA002-F78.

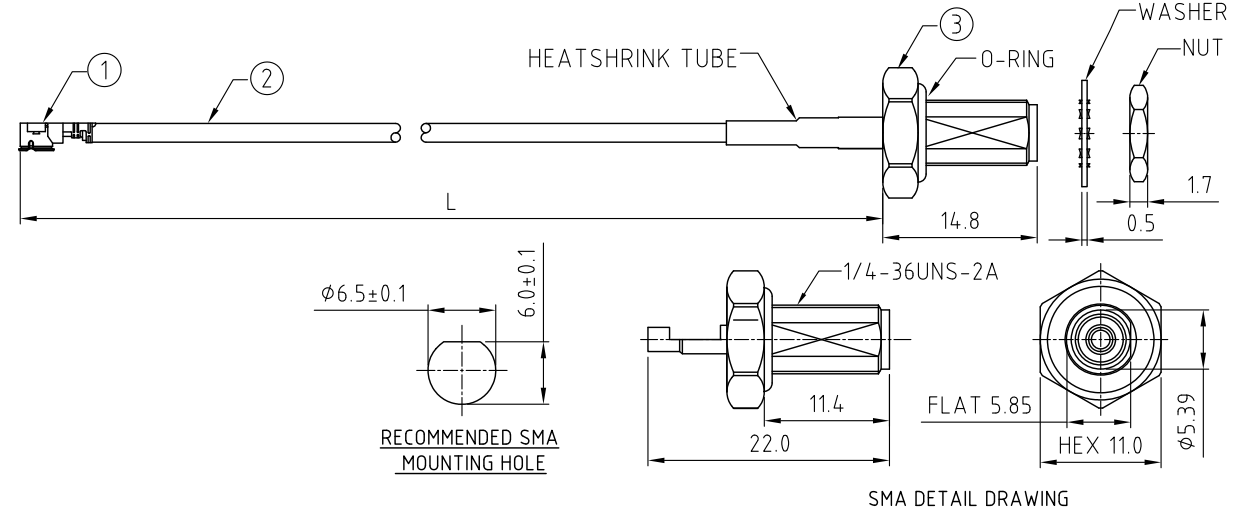
USAGE PRECAUTIONS: CABLES USING 'MICRO' COAX ARE DELICATE:
 (i) HANDLE WITH CARE.
 (ii) DO NOT TWIST; APPLY EXCESSIVE FORCES OR SHARP BENDS TO THE CABLE. DO NOT FORCEFULLY DEFORM WIRES.
 (iii) CONSULT CONNECTOR MANUFACTURER'S DATASHEETS FOR DETAILED NOTES ON HANDLING INSTRUCTIONS.

ENVIRONMENTAL:

- BULKHEAD MOUNTED CONNECTOR (RFCT-SMA002-F78) TESTED TO THE FOLLOWING SPECIFICATION:
 - IP6X - DUST TIGHT - NO PARTICLE INGRESS.
 - IPX7 WATERPROOF FOR 30 MINUTES UP TO 1 METER UNDERWATER.
 - IPX8 WATERPROOF FOR 48 HOURS AT 1 METER UNDERWATER.
 - IPX8 WATERPROOF FOR 12 HOURS AT 5 METERS UNDERWATER.
 - PRESSURE TEST - 1 BAR FOR 10 SECONDS.

NOTES:

- THE ORIENTATION OF CONNECTORS ON DRAWING IS FOR REFERENCE ONLY, IF THE ORDER IS LEFT BLANK THE CONNECTOR WILL NOT HAVE FIXED ORIENTATION.
- FIXED ORIENTATION IS SUGGESTED FOR CABLE LENGTH 25MM TO 100MM. PLEASE SPECIFY THE FIXED ORIENTATIONS FROM THE ORDER CODE (F1, F2, ETC)
- CONTACT GRADCONN IF THE ORIENTATION YOU REQUIRE IS NOT SHOWN.
- WORKING FREQUENCY RANGE: DC-3GHz.
- OPERATING TEMPERATURE: -40°C ~ $+85^{\circ}\text{C}$.
- IMPEDANCE: 50 Ohm.

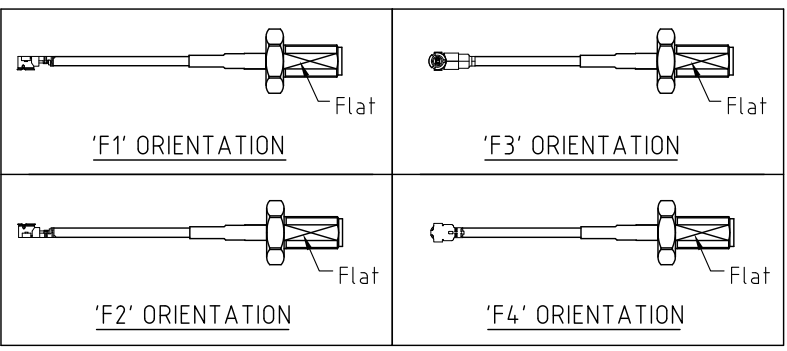
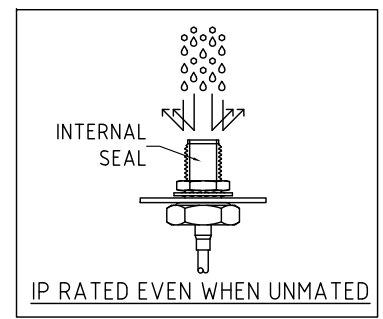


HOW TO ORDER
 CABLE 161 RF - X X X - X X - X - X - X X
 "L" LENGTH IN MM:
 eg: 100MM = 100
 (MIN. 025-MAX.400)
 STANDARD = 100, 150, 200)
 Tolerance: 50-200mm: $\pm 5\text{mm}$.
 201-400mm: $\pm 7\text{mm}$.

- HEATSHRINK TUBE OPTIONS:
 BLANK = WITH H/S TUBE (STANDARD)
 NT = WITHOUT H/S TUBE
- CABLE SIZE OPTIONS:
 1 = RG178 CABLE, COLOR: BROWN
 2 = $\phi 1.37\text{MM}$ CABLE, COLOR: BLACK
 3 = $\phi 1.13\text{MM}$ LOW LOSS CABLE, COLOR: GREY
 4 = $\phi 1.13\text{MM}$ CABLE, COLOR: GREY
 5 = $\phi 1.32\text{DS}$ CABLE, COLOR: GREY
 6 = $\phi 1.13\text{MM}$ CABLE, COLOR: BLACK
 7 = $\phi 1.32\text{MM}$ CABLE, COLOR: GREY
 8 = $\phi 0.81\text{MM}$ CABLE, COLOR: GREY

- ORIENTATION OPTIONS:
 BLANK = DOES NOT HAVE A FIXED ORIENTATION
 F1 = MHF CONNECTION DOWN (L=25-200MM)
 F2 = MHF CONNECTION UP (L=25-200MM)
 F3 = MHF CONNECTION AND D FLAT SAME ORIENTATION (L=25-200MM)
 F4 = MHF CONNECTION AND D FLAT OPPOSITE ORIENTATION (L=25-200MM)
 (SEE NOTES 1, 2, 3 AND DIAGRAMS FOR MORE INFORMATION)

- O-RING, WASHER AND NUT OPTIONS:
 BLANK = O-RING ASSEMBLED, WASHER AND NUT SEPARATELY PACKED (STANDARD)
 A = ALL ASSEMBLED WITH CONNECTOR
 D = ALL PACKED SEPARATELY



REV. DATE & DRN	10. 26/07/19 - NYW RELEASE
11. 28/07/14 - NYW	11. 28/07/14 - NYW
12. 07/07/15 - NYW	12. 07/07/15 - NYW
13. 07/07/15 - NYW	13. 07/07/15 - NYW
14. 10/07/16 - NYW	14. 10/07/16 - NYW
15. 19/08/16 - R-JH	15. 19/08/16 - R-JH
16. 02/05/17 - NYW	16. 02/05/17 - NYW
17. 27/06/17 - NYW	17. 27/06/17 - NYW
18. 08/11/17 - NYW	18. 08/11/17 - NYW
19. 15/01/18 - NYW	19. 15/01/18 - NYW
20. 27/09/18 - NYW	20. 27/09/18 - NYW
21. 20/03/19 - NYW	21. 20/03/19 - NYW
22. 27/05/19 - NYW	22. 27/05/19 - NYW
23. 10/07/19 - NYW	23. 10/07/19 - NYW
24. 12/07/19 - NYW	24. 12/07/19 - NYW
25. 05/07/20 - NYW	25. 05/07/20 - NYW
26. 08/12/22 - NYW	26. 08/12/22 - NYW
27. 28/04/22 - NYW	27. 28/04/22 - NYW
28. 25/02/24 - CC	28. 25/02/24 - CC

Scale: NTS	THIRD ANGLE	Unstated Tolerances: .X N/A .XX N/A .XXX N/A ANGLES N/A
Drawn: CC		
App'd: XXX	Title CABLE ASSEMBLY	
Date: 25 FEB. '24	Revision: 2.8	Unit: mm

IP Rated RF Products www.gradconn.com

Type: Cable 161 RF
CABLE 161 RF
Drawing Number:
Sheet 1 of 1
Drawing © E and O E